

1.21.00.05AH - (1)

2.21.00.24 - (2)

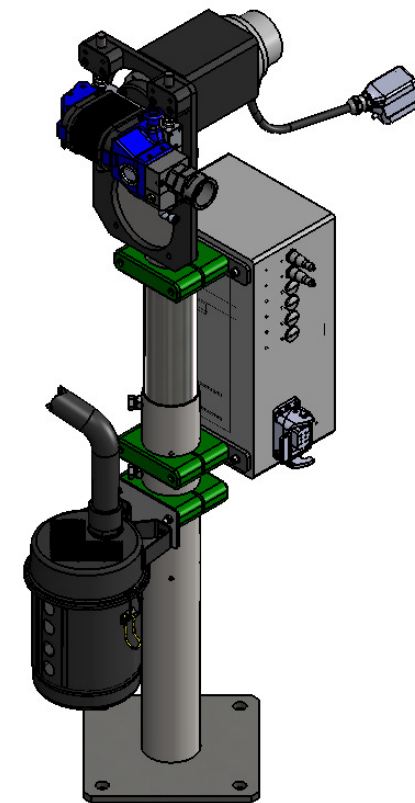
5.21.00.02C - (5)

4.21.00.24 - (3)

8.72.50.22 - (6)

8.78.00.00L - (7)

5.21.00.31A - (4)



Leistung / Power	1,0 kW
Drehzahl / Tool speed	212 /min
Betriebsart / Operating mode	S3 - 10%
Spannung / Voltage	Y 400 V / 50 Hz
Luftdruck / Air pressure	5 bar <math>p < 10</math> bar
Luftverbrauch / Air consumption	3 - 6 l/s
Volumen Spänebehälter / Capacity chip tank	2,5 l
Masse / Weight	ca. 25 kg

<p>Lutz Precision</p> <p><small>This document contains confidential and proprietary information, which may not be duplicated, published, disseminated or disclosed to unintended third party recipients (or just "third parties") or used for any purpose, without written permission from Lutz Precision. If you are an unintended recipient of this proprietary information or are unwilling to accept the above restrictions, please immediately return this document to LUTZ - Precision s.r.o. Bratislava, Slovakia</small></p>	Masse / Weight [kg]: 0	Oberfläche / Surface:	Wärmebeh./Heat-treatm.:
	Toleranzen / Tolerances DIN ISO 2768-m	Maßstab / Scale: 1:6	Werkstoffnr. / Material No.:
	Gez./Drwn. 11.02.2013	Name ppuxbaum	Rohm. / Feedstock: 1
	Benennung / Title: Elektrodenkappenfräser E2A Electrode tip dresser E2A		
<p>Lutz Precision</p> <p><i>Tipped for Excellence</i></p> <p><small>Property of LUTZ - Precision s.r.o. Bratislava, Slovakia www.Lutz-Precision.com</small></p>		Zeichnungsnummer / Drawing No.:	A3
Pos. Änderungen / Modification		Ursprung/Source:	Version/Revision 000