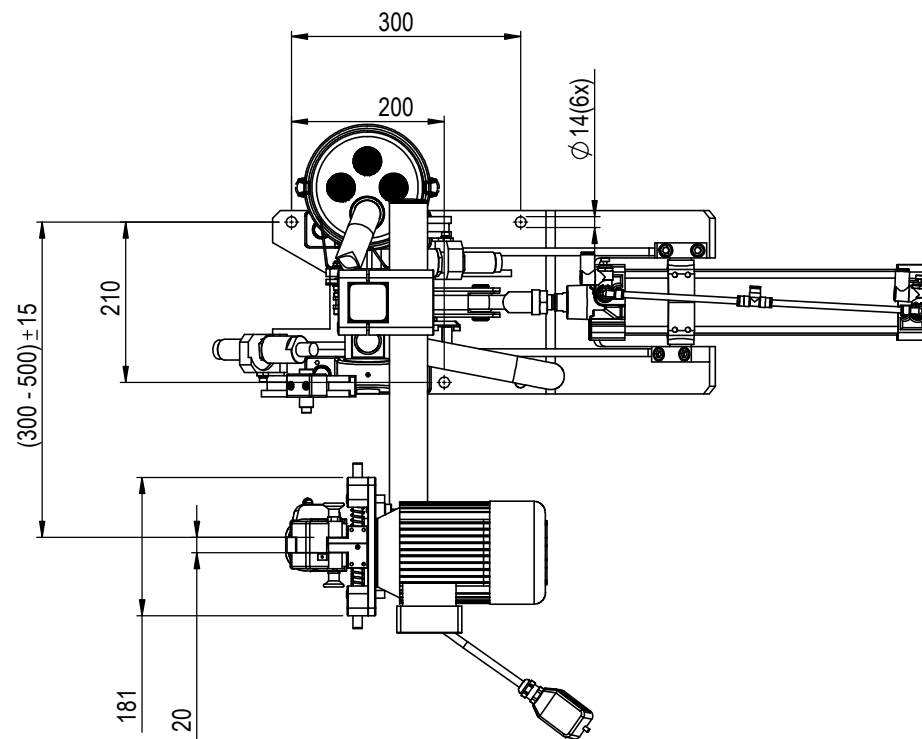
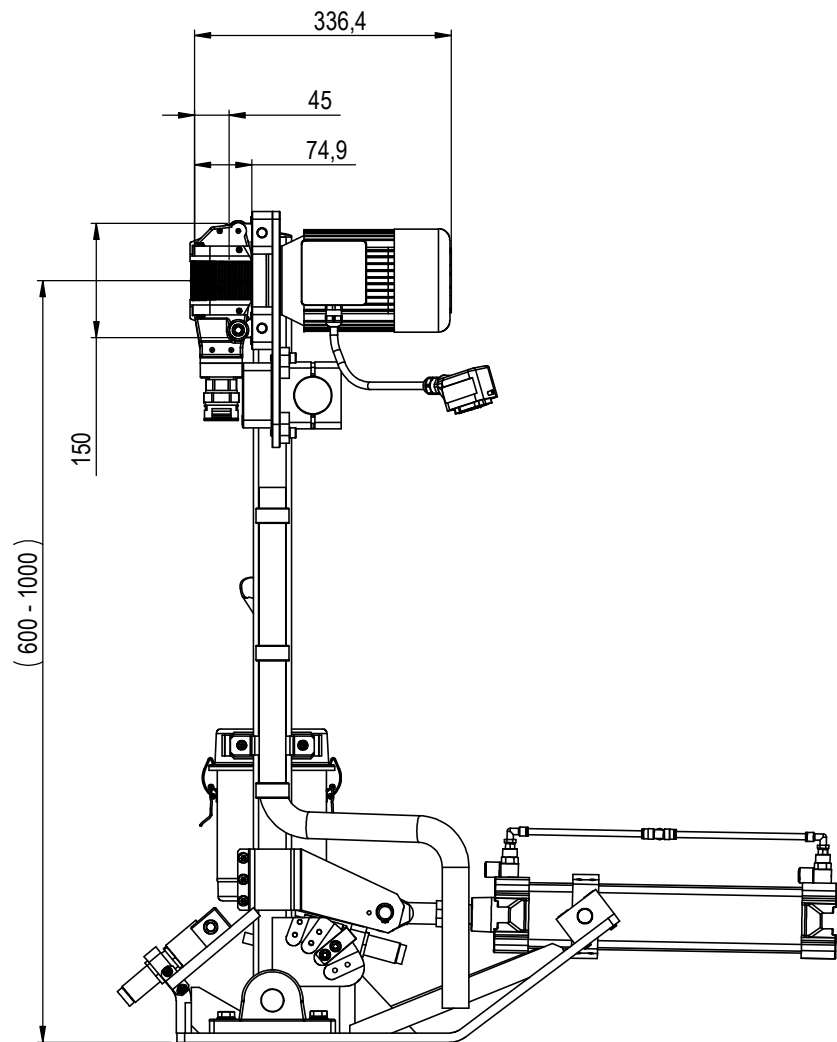


Leistung / Power	1,25/1,5 kW
Drehzahl / Tool speed	437/513 Upm
Betriebsart / Operating mode	S3 - 20%
Spannung / Voltage	400/480V / 50/60 Hz
Luftdruck / Air pressure	5 bar <math>p < 10</math> bar
Luftverbrauch / Air consumption	3 - 6 l/s
Volumen Spänebehälter / Capacity chip tank	2,5 l
Masse / Weight	ca. 70 kg

4.56.00.24N - (3)

Anstrich bewegliche Teile	RAL 1018
Anstrich feste Teile	RAL 9010
Klemmstücke in endgültiger Position verstiftet	
Klemmhebel nach dem Einrichten angeschweißt	

<p>Lutz Precision</p> <p><small>This document contains confidential and proprietary information, which may not be duplicated, published, disseminated or disclosed to unintended third party recipients (or just "third parties") or used for any purpose, without written permission from Lutz Precision. If you are an unintended recipient of this proprietary information or are unwilling to accept the above restrictions, please immediately return this document to LUTZ - Precision s.r.o. Bratislava, Slovakia</small></p>	Masse / Weight [kg]: 0	Oberfläche / Surface:	Wärmebeh./Heat-treat.:
	Toleranzen / Tolerances DIN ISO 2768-m	Maßstab / Scale: 1:7	WerkstoffNr. / Material No.:
	Gez./Drwn. 28.07.2014	Name galbo	Rohm. / Feedstock: 1
	Sepr./Chk'd Freig/Appro'd MfG:	Benennung / Title: Elektrodenkappenfräser E2A SP6 Electrode tip dresser E2A SP6	
<p>Lutz Precision <small>Property of LUTZ - Precision s.r.o. Bratislava, Slovakia www.Lutz-Precision.com</small></p> <p><i>Tipped for Excellence</i></p>		Zeichnungsnummer / Drawing No.: 0.56.00.240	
Pos. Änderungen / Modification Date Name		Ursprung/Source:	Version/Revision: 000



<p>Lutz Precision This document contains confidential and proprietary information, which may not be duplicated, published, disseminated or disclosed to unintended third party recipients (or just "third parties") or used for any purpose, without written permission from Lutz Precision. If you are an unintended recipient of this proprietary information or are unwilling to accept the above restrictions, please immediately return this document to LUTZ - Precision s.r.o. Bratislava, Slovakia</p>		Masse / Weight [kg]:		0	Oberfläche / Surface:		Wärmebeh./Heat-treatm.:		
		Toleranzen / Tolerances		DIN ISO 2768-m		Maßstab / Scale:		1:7	
						Werkstoff / Material:		Rohm. / Feedstock:	
								1	
						Benennung / Title:			
						Elektrodenkappenfräser E2A SP6			
						Electrode tip dresser E2A SP6			
						Zeichnungsnummer / Drawing No.:		A3	
						0.56.00.240		2 2	
Pos.		Änderungen / Modification		Date		Name		Ursprung/Source:	
								Version/Revision 000	

Lutz Precision
Tipped for Excellence
Property of LUTZ - Precision s.r.o. Bratislava, Slovakia
www.LutzPrecision.com