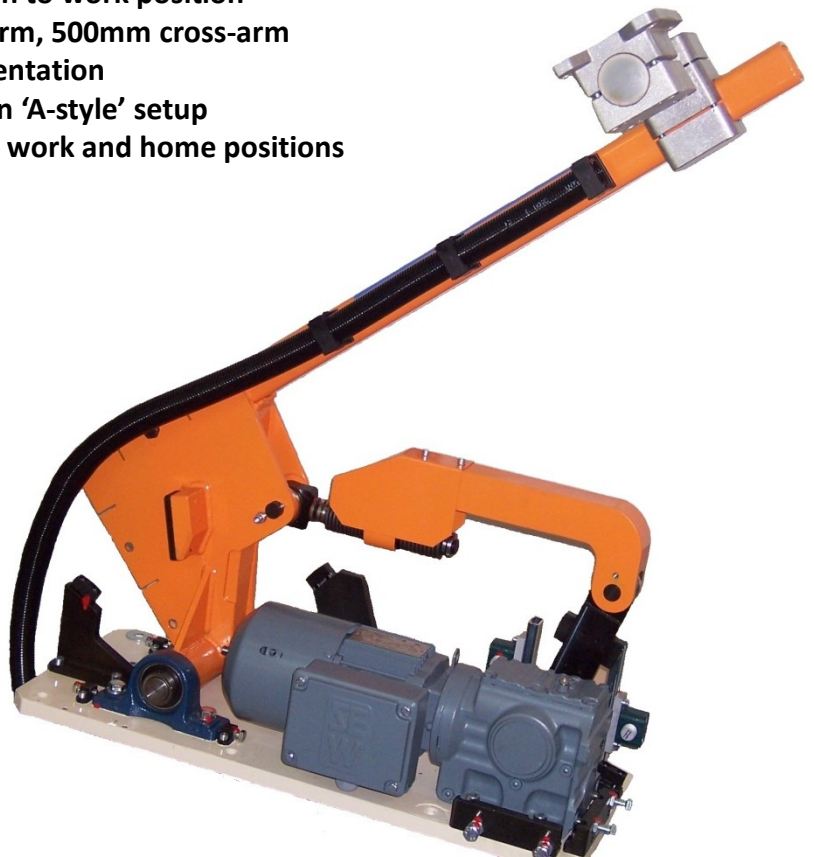
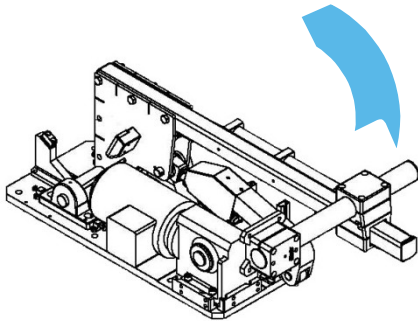


SE7 Electric Swing-arm

- .37kw 480/240VAC 3ph 60Hz (prewired for 480VAC)
- 1700:11 transmission x 90deg output
- may be used with E2, P2, L7, L6, L2 machines
- 90 degree rotation to work position
- 1m main swing-arm, 500mm cross-arm
- mount in any orientation
- comes standard in 'A-style' setup
- positive stops for work and home positions
- control options
- swing options

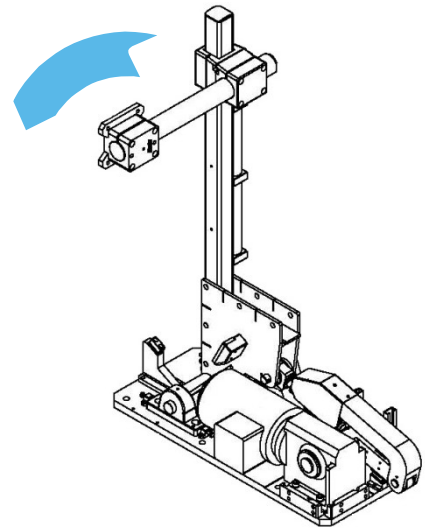


Lutz Precision Automotive, LLC 1090 Industrial Drive Unit #2 Bensenville, IL 60106
Phone: 630-238-5711 Fax: 630-238-5719 email: lutzprecisionllc@aol.com



Setup as 'A-style' – main swing-arm is flat over machine and moves to Vertical position.

Setup as 'B-style' – main swing-arm works vertical to outstretched



Machine Codes	Description
E2H-SE7-BW00	E2 milling unit; electric swing-arm; blow off only; without rotation sensing
E2V-SE7-AS70-5B00	E2 vertical miller; electric swing-arm (B setup); aspiration without rotation sensing
E2H-SE7-AS71	E2 horizontal miller; electric swing-arm; aspiration with rotation, pulse output
L7V-SE7-AS70	L7 miller turned vertical; electric swing-arm; aspiration without rotation sensing